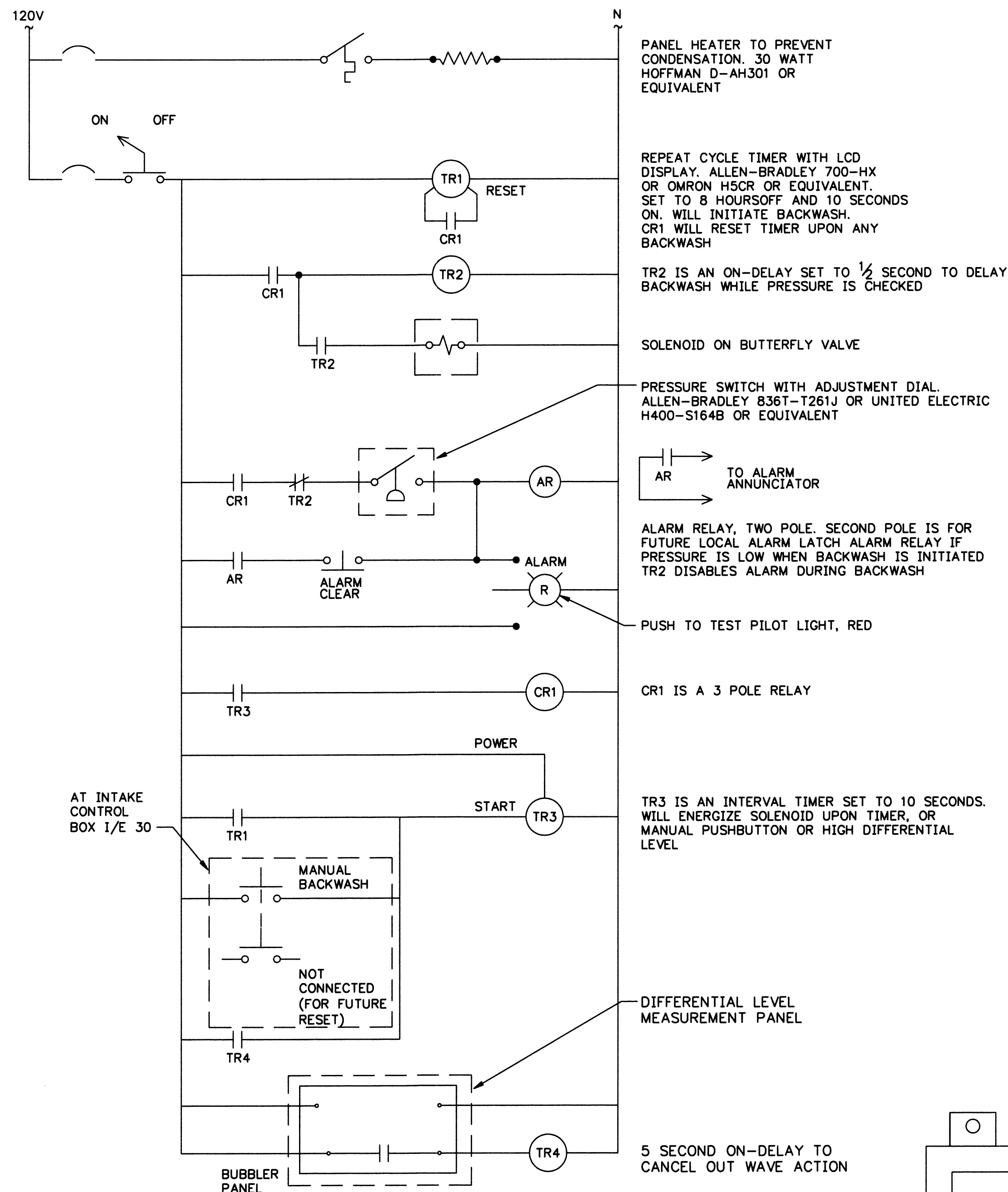


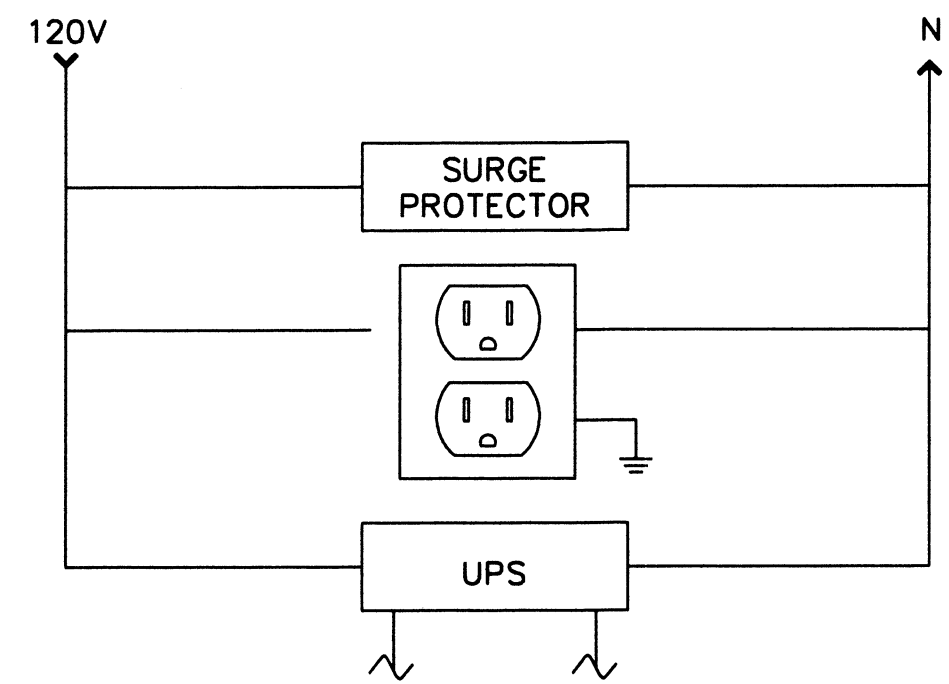
NO.	W/O	COMPUTER	REVISION	ONLY	BY	DATE	APPROVED
C-CONTRACT CONSTR., FA-FORCE ACCOUNT CONSTR., R-RECORD FILE NAME: ISF_E1_NEOH.dgn							
UNITED STATES DEPARTMENT OF ENERGY <b>BONNEVILLE POWER ADMINISTRATION</b> HEADQUARTERS, PORTLAND, OREGON							
<b>NORTHEAST OREGON HATCHERY PROGRAM</b> IMNAHA SATELLITE FACILITY							
<b>ELECTRICAL PLAN</b>							
Design	SM						
Drawn	KDP						
Chkd	WLS						
Sub							
Rec							
Rec							
Appr							
Date	04/10/06	SERIAL	SOURCE	SHEET NO.	SHEET	REVISION	
				E1	QE		



**BACKWASH CONTROL SCHEMATIC**

SCALE: NONE

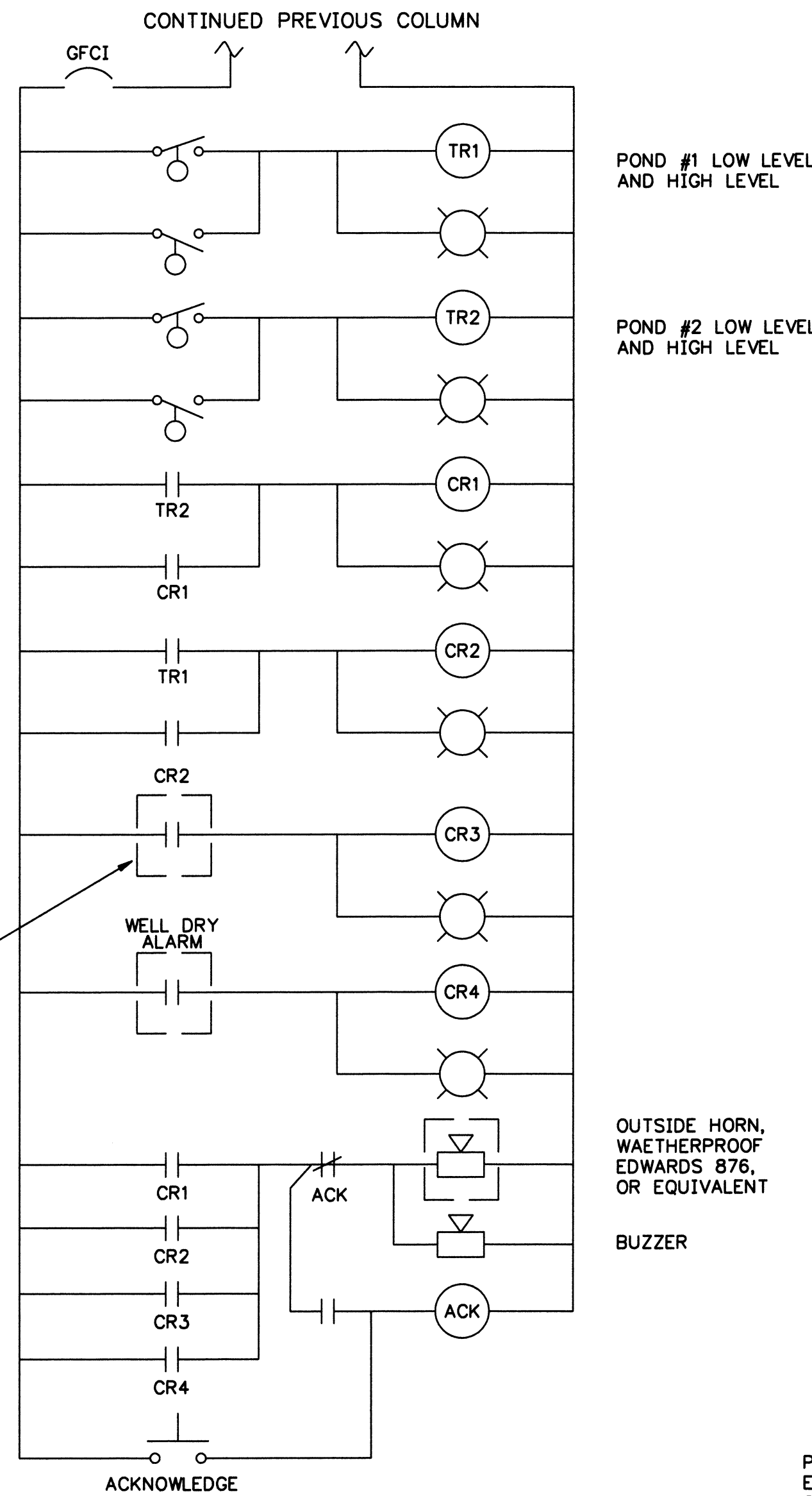
1  
E1E2



**ALARM ANNUNCIATOR**

SCALE: NONE

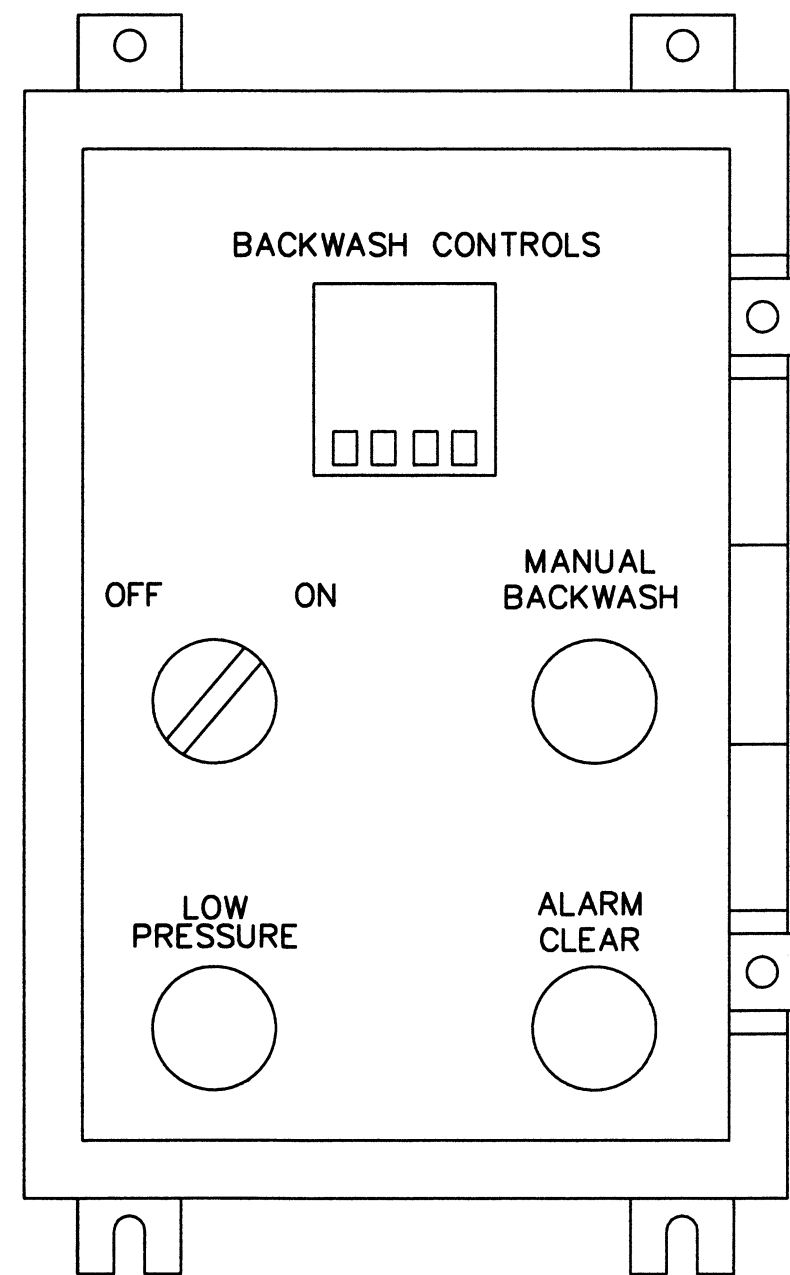
6  
E1E2



**ALARM ANNUNCIATOR CONT'D.**

SCALE: NONE

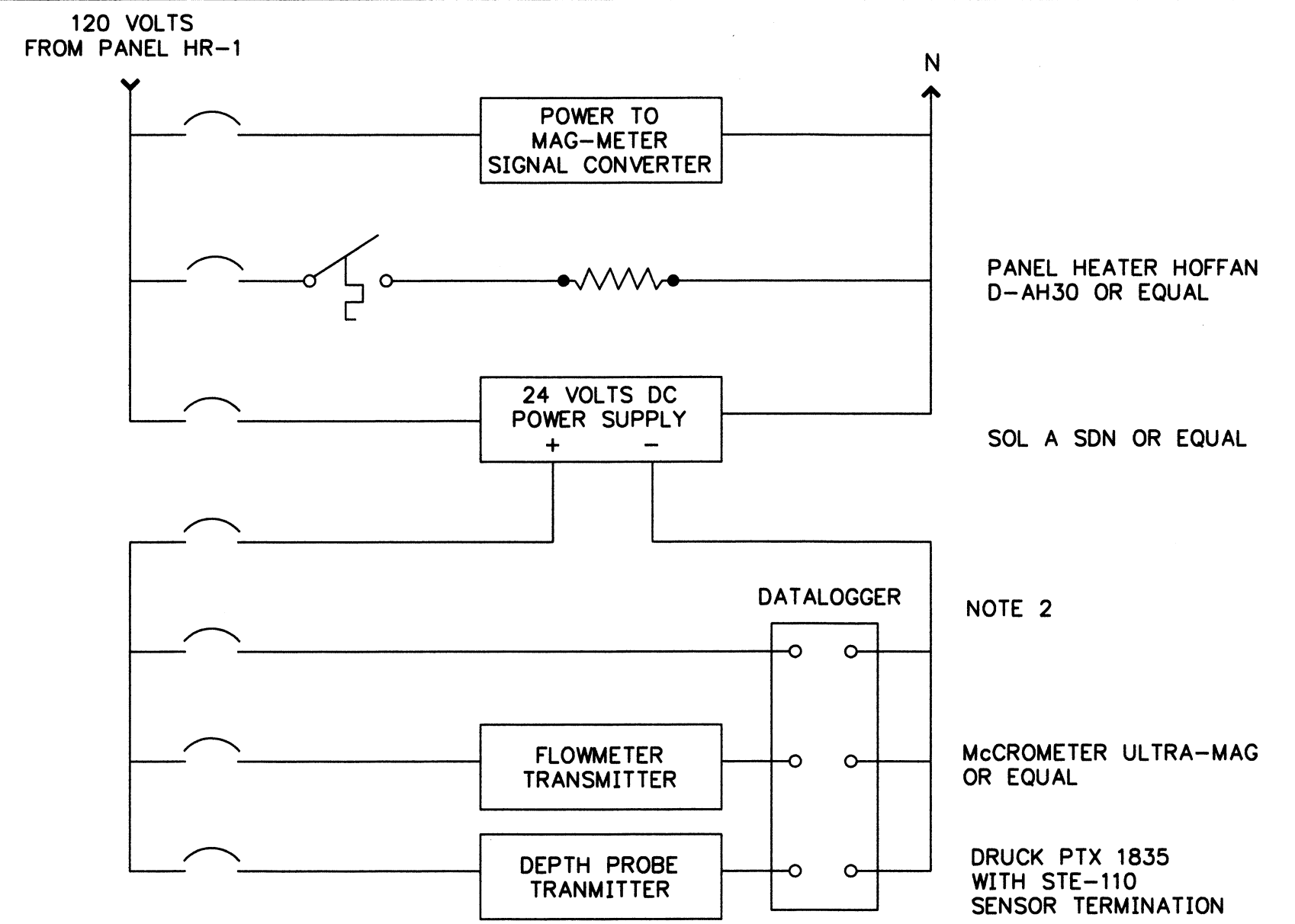
2  
E1E2



**BACKWASH CONTROL PANEL**

SCALE: NONE

3  
E1E2

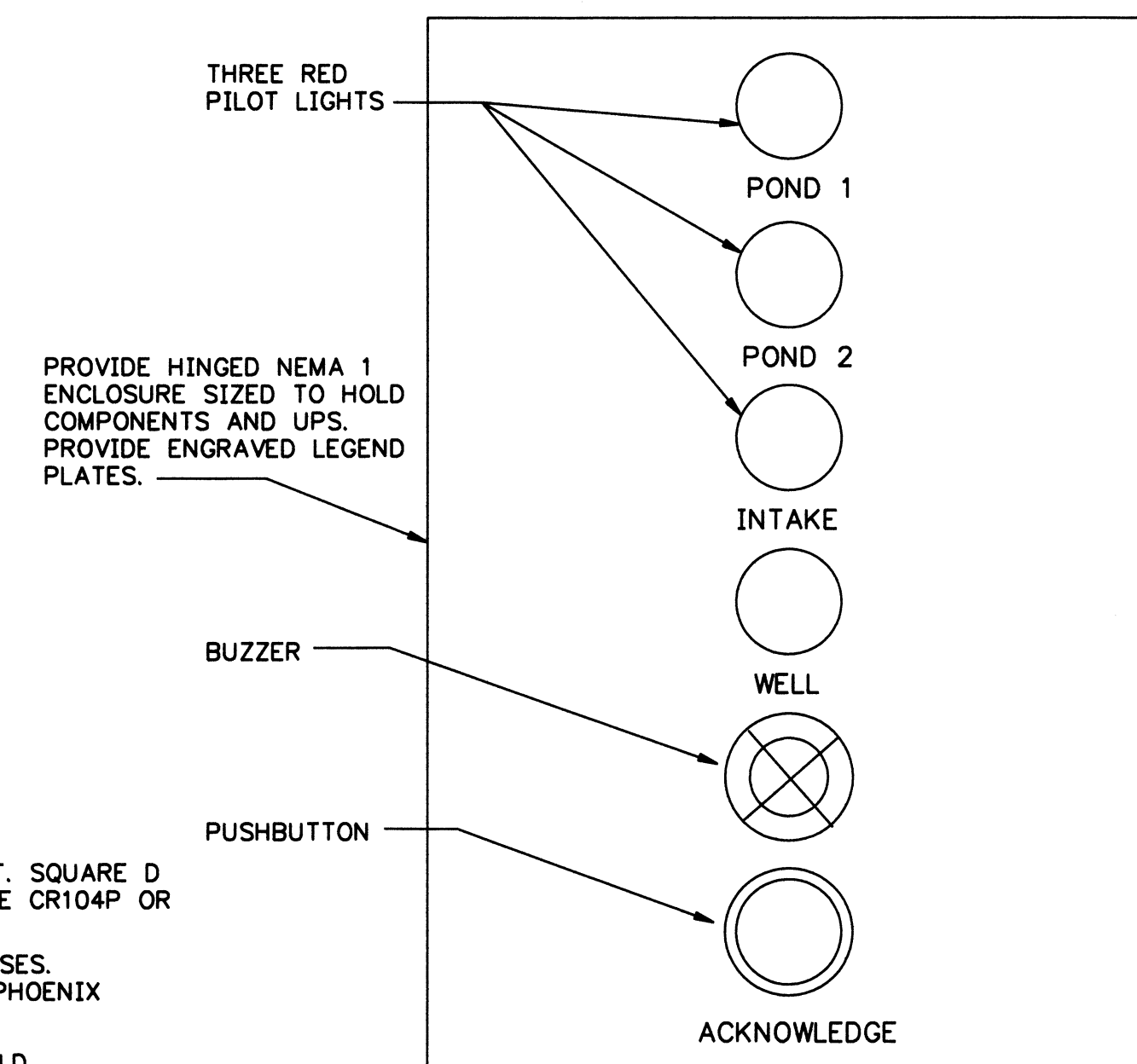


1. PROVIDE HINGED NEMA1 ENCLOSURE SIZED TO HOLD COMPONENTS.
2. DATALOGGER SHALL BE PANEL MOUNTED AND HAVE CAPABILITY TO VIEW HISTORICAL TRENDS FROM FRONT PANEL MONARCH DC 1250-S000 WITH 32 MBYTE CARD, AND BATTERY BACKUP FOR INTERNAL CLOCK.
3. COMPONENT RATINGS PER UL 508A.
4. CABLE FROM DATA LOGGER TO SENSOR TERMINATION BOX SHALL BE BELDEN 9342 OR EQUIVALENT. CABLE FROM DATA LOGGER TO FLOW SIGNAL CONVERTER SHALL BELDEN 9342 OR EQUIVALENT IN 3/4" C. CABLE FROM FLOW SIGNAL CONVERTER TO FLOWMETER PER MFR SPECIFICATIONS.

**DATALOGGER SCHEMATIC**

SCALE: NONE

4  
E1E2



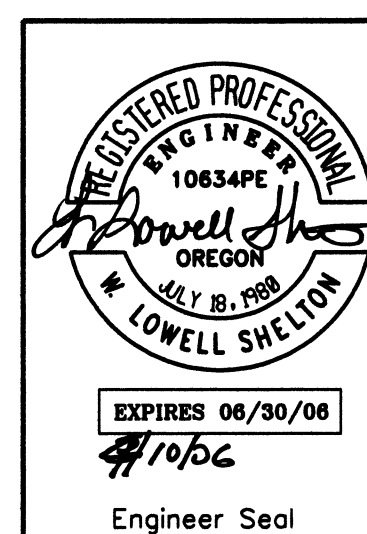
**ALARM ANNUNCIATOR**

SCALE: NONE

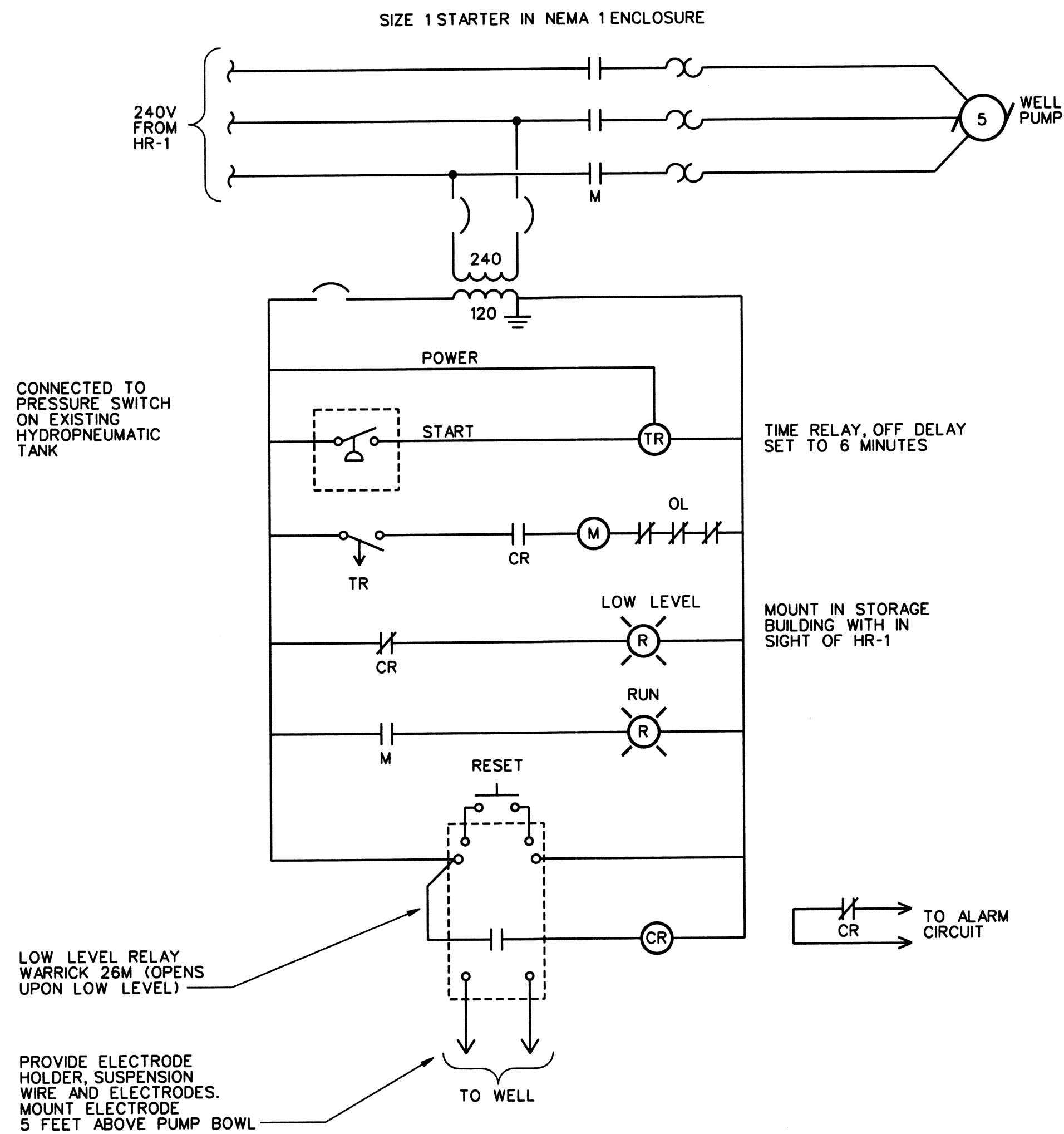
5  
E1E2

NOTES:

1. PILOT DEVICES TO BE ALLEN-BRADLEY 800T. SQUARE D CLASS 9001. CULTER-HAMMER 10250T OR GE CR104P OR APPROVED EQUIV.
2. PROVIDE RAIL MOUNTED TERMINALS AND FUSES. ALLEN-BRADLEY 1492. WEIDMULLER, WAGO, PHOENIX CONTACT, WIELAND OR APPROVED EQUIV.
3. PROVIDE NEMA 12 ENCLOSURE SIZED TO HOLD COMPONENTS. HOFFMAN, RITTAL, HAMMOND, CIRCLE AW OR APPROVED EQUIV.
4. RELAYS: ALLEN-BRADLEY 700-H, SQUARE D CLASS 8510 TYPE KU, IDEC TYPE RH, POTTER-BRUMFIELD TYPE KU P OR APPROVED EQUIV.
5. PROVIDE NAMEPLATE "BACKWASH CONTROLS".



NO.	W/O	COMPUTER REVISION ONLY	BY	DATE	APPROVED
C-CONTRACT CONSTR., FA-FORCE ACCOUNT CONSTR., R-RECORD FILE NAME: ISF_E2_NEOH.dgn					
Design	SM	UNITED STATES DEPARTMENT OF ENERGY			
Drawn	KDP	BONNEVILLE POWER ADMINISTRATION			
Chkd	WLS	HEADQUARTERS, PORTLAND, OREGON			
Sub		NORTHEAST OREGON HATCHERY PROGRAM			
Rec		IMNAHA SATELLITE FACILITY			
<b>ELECTRICAL DETAILS 1</b>					
Appr		SERIAL	SOURCE	SHEET NO.	SHEET OF
Date	04/10/06			E2	OF



**WELL MOTOR CIRCUIT** 1  
SCALE: NONE E1E3



NO.	W/O	COMPUTER	REVISION	ONLY	BY	DATE	APPROVED
C-CONTRACT CONSTR., FA=FORCE ACCOUNT CONSTR., R-RECORD FILE NAME: ISF_E3_NEOH.dgn							
Design	SM	UNITED STATES DEPARTMENT OF ENERGY <b>BONNEVILLE POWER ADMINISTRATION</b> HEADQUARTERS, PORTLAND, OREGON					
Drawn	KDP	<b>NORTHEAST OREGON HATCHERY PROGRAM</b> <b>IMNAHA SATELLITE FACILITY</b>					
Chkd	WLS	<b>ELECTRICAL DETAILS 2</b>					
Sub							
Rec							
Rec							
Appr							
Date	04/10/06	SERIAL	SOURCE	SHEET NO.	SHEET	REVISION	
				E3	OF		